

# E7 Series ice and water dispenser

Chewblet® ice machine



Shown with optional base stand

NOTE: For use in applications with greater than 5 mg/l but less than 400 mg/l total dissolved solids in water and less than 200 mg/l hardness (either naturally occurring or treated with reverse osmosis or other TDS reducing technology).  
Not recommended for use with softened water.



## Features

Compact size, only 44.8 cm (17.62") tall to fit on counters under standard cabinets

3.2 kg (7 lb) ice storage capacity

Integral air-cooled ice machine with up to 54.4 kg (120 lb) daily production of popular Chewblet ice

- soft, chewable, compressed nugget ice is preferred over cubes<sup>1</sup>
- environmentally responsible R134a refrigerant with zero ozone depletion potential
- energy saving sleep mode
- quiet production without noisy harvest cycles

Durable, attractive dispenser

- modern styling, stainless steel exterior with accent trim
- dispense-activated soft blue light illuminates point-of-use
- easy-to-clean, removable 590 ml (20 oz) drip tray

Designed with sanitation in mind

- Agion® silver-based antimicrobial product protection of key ice and water contact components<sup>2</sup>
- capacitive touch controls eliminate direct contact with ice

Installation

- comes fully assembled
- two easy connections – electric and water
- drainless design allows dispenser to be placed anywhere a water line can be run and eliminates the cost of a drain installation

Warranty

- 2 years parts and labor, 5 years compressor parts

## Accessories

10.16 cm (4.00") leg kit for CI - countertop models (item# 00956300)

15.24 cm (6.00") leg kit for base stand (item# 00956318)

Drip tray drain kit for countertop models (includes 10.16 cm (4.00") legs) (item# 00981977)

Drip tray drain kit for countertop models used with base stand accessory (does not include 10.16 cm (4.00") legs) (item# 00956375)

Filter cartridge, replacement 5 micron particle/carbon (item# 00968107)

Claris® hardness removal filtration system (item# 00986059)

### Model configurations – 230 V 50 Hz

Ice storage capacity	Configuration	Filter <sup>1</sup>	Item number
<b>3.2 kg (7 lb)</b>	countertop ice and water	no filter	<b>E7CI100A-IW-NF-ST-00</b>
		internal	<b>E7CI100A-IW-CF-ST-00<sup>2</sup></b>
	countertop ice-only	no filter	<b>E7CI100A-NW-NF-ST-00<sup>2</sup></b>
		internal	<b>E7CI100A-NW-CF-ST-00</b>

For freestanding models

Optional base stand to convert countertop models to freestanding **00956292**

<sup>1</sup> Internal filter is a 5 micron particle and carbon filter.  
<sup>2</sup> E7CI100A-IW-CF-ST-00 and E7CI100A-NW-NF-ST-00 are also available from Wisłina, Poland and include BSP fitting kit and backflow preventer.

Mokry Dwór 26C 83-021 Wiśłina, Poland  
Phone: +48 (58) 785-6140 | Fax: +48 (58) 785-6159  
folletteurope.com

801 Church Lane | Easton, PA 18040, USA  
1.610.252.7301 | Fax: +1.610.250.0696 | follettice.com

**FOLLETT**

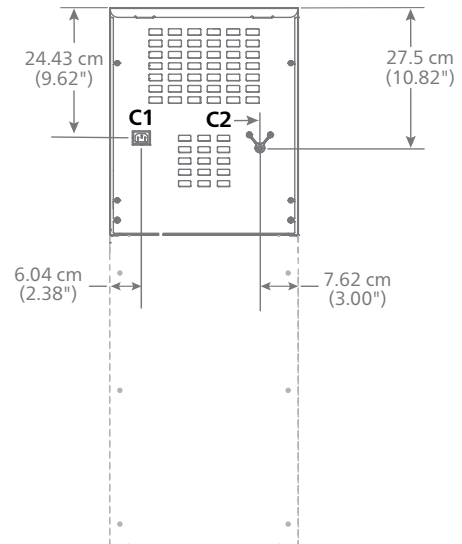
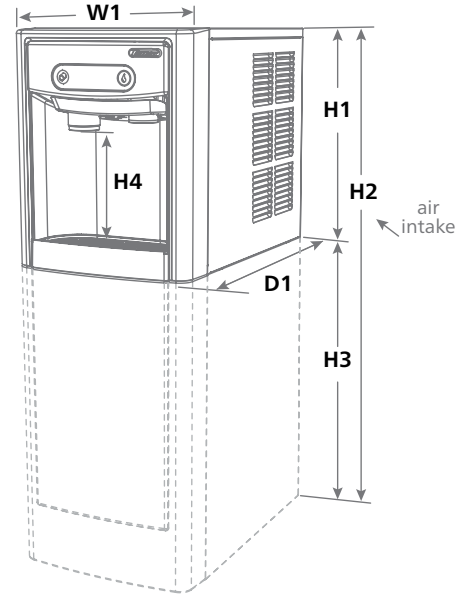
## Specification

Ice storage capacity	3.2 kg (7 lb)
<b>W1</b> Width	37.1 cm (14.62")
<b>D1</b> Depth	56.2 cm (22.12")
<b>H1</b> Height, countertop models	44.8 cm (17.62")
<b>H2</b> Height, with optional base stand	106.7 cm (42.00")
<b>H3</b> Height, optional base stand	62.0 cm (24.41")
<b>H4</b> Dispense height clearance	21.59 cm (8.50")
Ventilation clearance	7.62 cm (3.00") on each side
Service clearance	7.62 cm (3.00") behind and on each side of dispenser
<b>C1</b> 230 V/50/1 electrical	5 amps. Connect to dedicated 10 amp circuit, fuse or breaker. Dispenser has IEC 60320-C13 connector in rear of dispenser for use with appropriate modular cord.
<b>C2</b> Water inlet	1/4" push-in
Air temperature	10 - 38 C (50 - 100 F)
Water temperature	4 - 32 C (40 - 90 F)
Water pressure	69 - 483 kpa (10 - 70 psi)
Ice production at 21 C (70 F) air and 10 C (50 F) water	54.4 kg (120 lb)
Ice production at 32 C (90 F) air and 21 C (70 F) water	40.8 kg (90 lb)
Energy consumption 32 C (90 F) air and 21 C (70 F) water	7.1 kWh per 45.4 kg (100 lb) ice
Heat rejection	498 W (1700 BTU/hr)
Water consumption	45.4 L (12 gal) of potable water per 45.4 kg (100 lb) of ice
Approximate net weight – countertop models	34 kg (74 lb)
Approximate shipping weight – countertop models	40 kg (87 lb)
Approximate net weight – optional base stand	11 kg (24 lb)
Approximate shipping weight – optional base stand	19 kg (42 lb)

NOTE: Intended for commercial use only. Follett can't guarantee freight carrier's ability to deliver to residential locations. Follett service providers may not be bonded to perform on-site warranty repairs in certain areas.

SHORT FORM SPECIFICATION: (Choose one) \_\_\_ Ice and water or \_\_\_ ice-only dispenser to be Follett automatic load in countertop configuration, with 3.2 kg (7 lb) of storage. Environmentally responsible R134a ice machine to be air-cooled. Ice machine to produce approximately 54.4 kg (120 lb) of Chewblet compressed nugget ice at air temperature of 21 C (70 F) and water temperature of 10 C (50 F). Ice machine to be equipped with printed circuit board and diagnostics to allow simplified servicing and with capacitive touch user interface. Storage area to be insulated with CARB compliant non-HFC foam. 230 V/50/1. Dispenser has IEC 60320-C13 connector in rear of dispenser for use with appropriate modular cord. Dispensers CE and EU food contact compliant. Total dissolved solids in water to be greater than 5 mg/l but less than 400 mg/l and hardness not to exceed 200 mg/l (either naturally occurring or treated with reverse osmosis or other TDS reducing technology).

## Dimensional drawing



<sup>1</sup> Independent third party studies. Contact Follett for details.

<sup>2</sup> Disclaimer: Antimicrobial protection is limited to the treated components and does not treat water or ice.

Clarix is a registered trademark of the Aquis GmbH in Switzerland.

Agion is a registered trademark of Sciessent LLC.

CHEWBLET and FOLLETT are registered trademarks of Follett Products, LLC, registered in the US.

Follett reserves the right to change specifications at any time without obligation.

Certifications may vary depending on country of origin.

## E7 Series ice and water dispenser