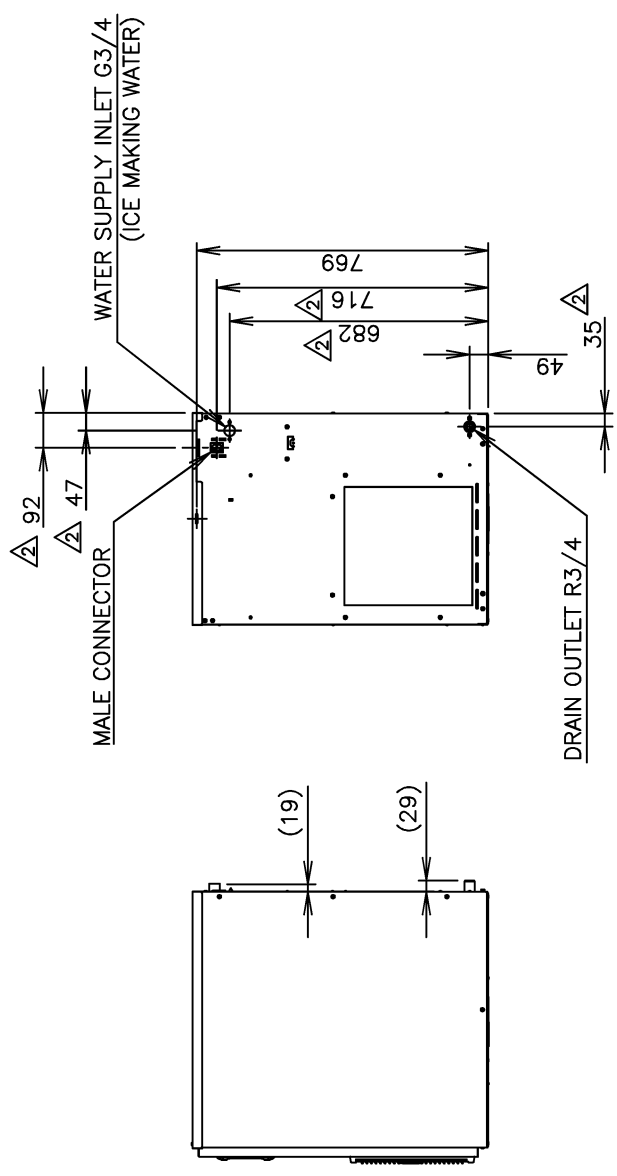
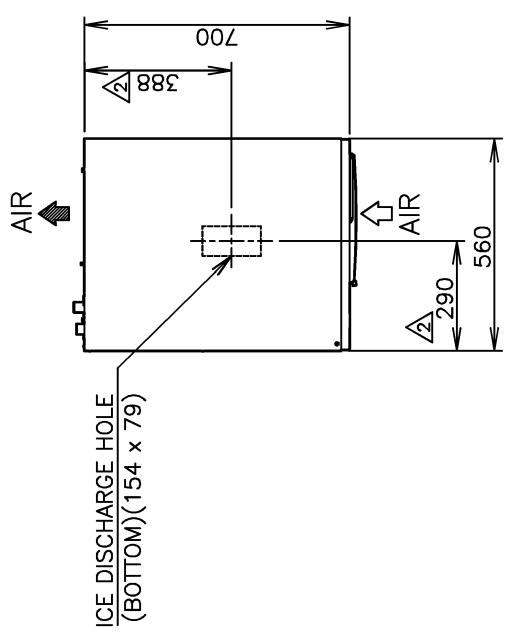


ITEM	HOSHIZAKI FLAKE ICE MAKER
MODEL	FM-300AKE-HC
POWER SUPPLY	1 Phase 220V-240V 50Hz Capacity: 1.53kVA (6.4A)
AMPERAGE	4.8A Starting: 20A
ELECTRIC CONSUMPTION	900W (Power Factor: 82.5%)
ICE PRODUCTION PER 24h	Approx.300kg (AT. 10°C, WT. 10°C) Approx.250kg (AT. 21°C, WT. 15°C) Approx.205kg (AT. 32°C, WT. 21°C)
SHAPE OF ICE	Flake
MAX. STORAGE CAPACITY	Not Applicable
WATER CONSUMPTION PER 24h	Approx.0.300m ³ (AT. 10°C, WT. 10°C) Approx.0.250m ³ (AT. 21°C, WT. 15°C) Approx.0.205m ³ (AT. 32°C, WT. 21°C)
OUTSIDE DIMENSIONS	560(W) x 700(D) x 780mm(H)
HEAT REJECTION	1840W (AT.32°C,WT.21°C)
CABINET	Stainless Steel, Galvanized Steel (Rear)
INSULATION	Urethane Foam
INSULATION FOAM BLOWING AGENT	HFC-free
ICE MAKING SYSTEM	Thin ice forming inside Cylinder (Flake Ice)
WATER SUPPLY SYSTEM	Direct Connection to Water Main, Inlet: G3/4 (Rear)
DRAIN SYSTEM	Outlet: R3/4 (Rear)
COMPRESSOR	Hermetic
CONDENSER	Spiral Tube Type, Air-cooled
EVAPORATOR	Tube coiled around Cylinder (Solder Plated)
REFRIGERANT	R290/90g
BIN CONTROL	Actuator and Reed Switch (Time delay controlled)
ICE MAKING WATER CONTROL	Float Switch and Solenoid Valve
ELECTRIC CIRCUIT PROTECTION	Circuit Breaker, Earth Wire
REFRIGERANT CIRCUIT PROTECTION	Compressor Internal Thermostat (Auto-reset), Pressure Switch (Auto-reset)
MECHANISM PROTECTION	Micro Switch (Manual-reset)
ICE MAKER PROTECTION	Shutdown by Microprocessor (Manual-reset)
WEIGHT	81kg(Gross: 88kg)
PACKAGE	Carton 665(W) x 820(D) x 950mm(H)
ACCESSORIES	Mounting Bracket, Installation Kit
OPERATING CONDITIONS	Ambient Temp.: 5 - 40°C, Water Supply Temp.: 5-35°C Water Supply Pressure: 0.05-0.8MPa(0.5-8bar) Voltage Range: Rated Voltage±6%

*We reserve the right to make changes in specifications and design without prior notice.

1. Install the ice maker properly in accordance with the instructions on location, water supply/drain connections and electrical connections stated in the instruction and installation manuals provided.
2. The ice production depends on the ambient and water temperatures. Refer to the instruction manual.
3. Product Code: F088



HOSHIZAKI FLAKE ICE MAKER FM-300AKE-HC [Auger Type]

APPROVED	CHECKED	DESIGNED	DRAWN	SCALE	1/20	TRIGONOMETRY
YOSHIDA	KUROYANAGI	TASHIRO	WATANABE			
YAMASAKI	SHIBATA	DATE	DATE	2012.06.01	D11597	SYMBOL
APPROVED	DESIGNED	SYMBOL	DATE	2012.09.08		