



Horizon Elite™

Marine 1010, 1410 series Chewblet® ice machine

Features

Horizon Elite Chewblet ice machine with up to 1116 lb (507 kg) daily production of customer preferred Chewblet ice

- 1010 series - up to 783 lb (355 kg) in 24 hours
- 1410 series - up to 1116 lb (507 kg) in 24 hours

Low life cycle cost

- uses up to 35% less water than cube ice machines
- requires no preventive maintenance other than periodic cleaning and sanitizing
- robust operation in all commercial water conditions

RIDE® technology

- automatically fill bin/dispenser up to 75 ft (22.9 m) away from the bin/dispenser with RIDE remote ice delivery equipment
- improved sanitation, aesthetics, serviceability

Consumer-preferred Chewblet ice

- more reliable dispensing than nugget or pellet ice
- slow melting, maintains drink temperature and quality
- drink performance comparable to cubes
- higher displacement than cube ice

Innovative engineering; unsurpassed reliability

- horizontally positioned evaporator provides maximum heat transfer for high capacity with compact dimensions
- unique auger profile design maximizes ice capacity and reduces loads on gearmotor, bearings and seals
- automatic self-flushing drains away mineral laden water, reduces scale build-up
- easy to read display provides at-a-glance operational status
- semi-automatic cleaning and sanitizing system lowers maintenance cost
- quiet operation, no noisy batch harvest cycles

Superior sanitation

- floatless, sealed design inhibits formation of biofilms
- designed to address United States Public Health Service (USPHS) principles

Warranty

- 2 years parts only on marine series Horizon Elite ice machines

Certifications



Model configurations			
Use/application	Condenser	1010 series	1410 series
Ice and beverage dispensers (IBD) manufactured by others	water	HCC1010WHM	HCC1410WHM
Vision™ ice and water dispensers manufactured by Follett	water	HCC1010WVM	HCC1410WVM

Accessories

- Water filter kit (item# 00978957)
- Wall mount bracket (item# 01085455)
- Ice machine stand, height adjustable (item# 01085463)
- Timer to control one or two ice machines (item# 00967265)
- Longer ice transport tube (refer to the price list, form# 4025)
NOTE: 10' (3 m) provided as standard for RIDE model.
- SafeCLEAN Plus™ ice machine cleaner
 - 1 x 8 oz (237 ml) bottle (item# 01147826)
 - 6 x 8 oz (237 ml) bottles (item# 01149954)
 - 24 x 8 oz (237 ml) bottles (item# 01149962)
- SaniSponge™, pack of 24 (item# 01075431)

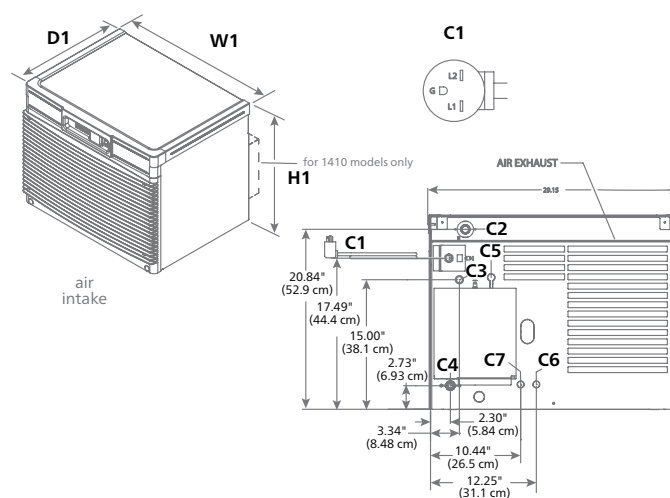
Ice production – Horizon Elite 1010 series, water-cooled (lb/kg production in 24 hr)

Potable water temperature F (C)	Ambient air temperature F (C)				
	50 (16)	60 (21)	70 (27)	80 (32)	90 (38)
50 F (10 C)	904 (410)	844 (383)	783 (355)	741 (336)	698 (317)
60 F (16 C)	887 (403)	827 (375)	767 (348)	727 (330)	688 (312)
70 F (21 C)	870 (395)	810 (368)	750 (341)	714 (324)	678 (308)
80 F (27 C)	816 (370)	762 (346)	708 (321)	674 (306)	640 (291)
90 F (32 C)	761 (345)	714 (324)	666 (302)	634 (288)	602 (273)

Ice production – Horizon Elite 1410 series, water-cooled (lb/kg production in 24 hr)

Potable water temperature F (C)	Condenser water temperature F (C)				
	50 (16)	60 (21)	70 (27)	80 (32)	90 (38)
50 F (10 C)	1286 (584)	1201 (545)	1116 (507)	1054 (479)	992 (450)
60 F (16 C)	1243 (564)	1165 (529)	1087 (493)	1032 (469)	977 (444)
70 F (21 C)	1200 (545)	1130 (513)	1059 (481)	1010 (459)	962 (437)
80 F (27 C)	1168 (530)	1089 (494)	1010 (459)	958 (435)	905 (411)
90 F (32 C)	1135 (515)	1048 (476)	961 (436)	905 (411)	849 (385)

Dimensional drawing



Specification

	Horizon Elite 1010 series	Horizon Elite 1410 series
W1 Width	29.15" (74.0 cm)	29.15" (74.0 cm)
D1 Depth	23.25" (59.1 cm)	25.15" (63.9 cm)
H1 Height	22.15" (56.3 cm)	22.15" (56.3 cm)
Clearance	top, left and right – 1.00" (2.54 cm), rear 2.00" (5.08 cm)	top, left and right – 1.00" (2.54 cm)
Electrical 220V/60/1	C1 11 amps, requires dedicated 15 amp circuit, 6' (1.8 m) cord, NEMA 6-15 plug	C1 14 amps, requires dedicated 20 amp circuit, 6' (1.8 m) cord, NEMA 6-20 plug
C2 Ice transport tube		
C3 Potable water inlet	3/8" OD push-in water inlet – internal connection	3/8" OD push-in water inlet – internal connection
C4 Drain	3/4" MPT	3/4" MPT
C5 Ice bin signal cord	for Vision applications only	for Vision applications only
Water-cooled condenser connections	C6 – 1/4" FPT condenser inlet, C7 – 1/4" FPT condenser outlet	C6 – 1/4" FPT condenser inlet, C7 – 1/4" FPT condenser outlet
Air temperature	50 - 100 F (10 - 38 C)	50 - 100 F (10 - 38 C)
Water temperature	45 - 90 F (7 - 32 C)	45 - 90 F (7 - 32 C)
Potable water pressure	10 - 70 psi (69 - 483 kPa)	10 - 70 psi (69 - 483 kPa)
Condenser water pressure	30 - 150 psi (207-1034 kPa)	30 - 150 psi (207-1034 kPa)
Energy consumption 90 F (32 C) condenser water 70 F (21 C) potable water	4.20 kWh per 100 lb (45.4 kg) ice	3.80 kWh per 100 lb (45.4 kg) ice
Water consumption	12.0 gal (45 L) of potable water per 100 lb (45.4 kg) of ice (per AHRI test standards) 12.4 gal (46.9 L) at low TDS setting	12.0 gal (45 L) of potable water per 100 lb (45.4 kg) of ice (per AHRI test standards) 12.3 gal (46.6 L) at low TDS setting
Water flow requirement for water-cooled models	1 gallon per minute	1 gallon per minute
Refrigerant	R449a	R449a
Approximate ship weight	260 lb (118 kg)	270 lb (123 kg)
Approximate ship weight	275 lb (124 kg)	275 lb (124 kg)

NOTE: For indoor use only

HORIZON ELITE, MICRO CHEWBLET, SAFECLEAN PLUS, SANISPONGE and VISION are trademarks of Follett Products, LLC. CHEWBLET, FOLLETT and RIDE are registered trademarks of Follett Products, LLC, registered in the US. Follett reserves the right to change specifications at any time without obligation. Certifications may vary depending on country of origin.